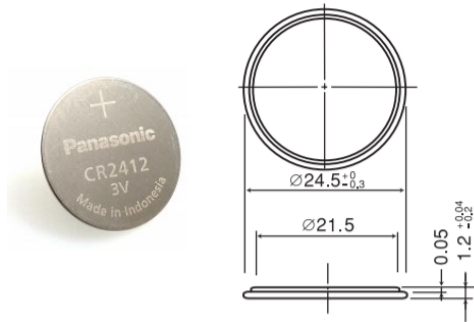


CR2412

CR Coin-type Lithium Battery



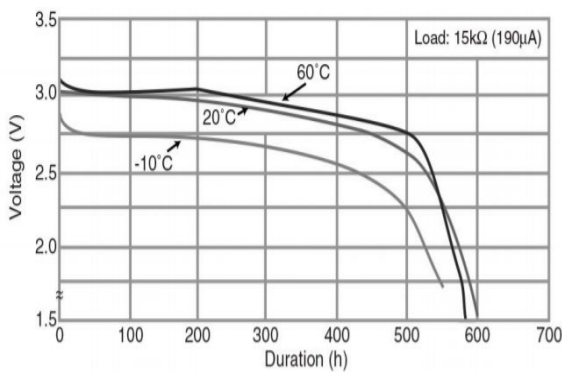
Features & Benefits

- Offers high-rate pulse discharge
- Available in a range of compact sizes and capacities, from thin-type to high-capacity models
- Excellent low-temperature performance enhanced by manganese-dioxide positive pole

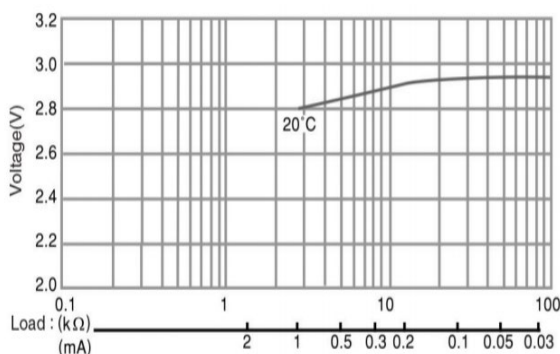
Applications

Remote keyless entry, Card remote controls, memory backup, security price tags, smart transmitter tags and others.

Discharge temperature characteristics



Capacity vs. load resistance



Specifications

Nominal voltage		3V
Nominal capacity		100mAh
Continuous drain		0.2mA
Dimensions*1	Diameter(Max.)	24.5mm
	Height(Max.)	1.2mm
Weight*1		Approx. 2.0g
Operating temperature*2		-30°C to +85°C

*1 Without tabs.

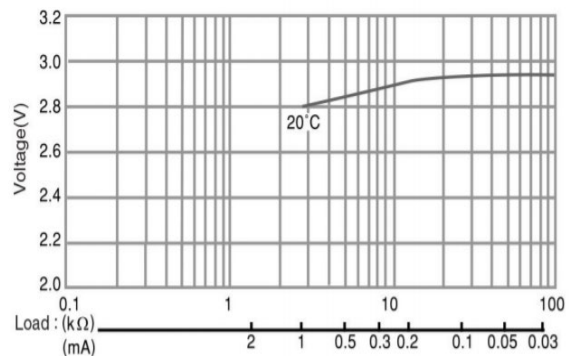
*2 Please consult Panasonic when anticipating usage in operating temperatures of 70°C or above.

Terminal types

Please see the documents for the terminal and lead wire settings.

- [Line up of tab terminal types\(by shape\)](#)
- [Line up of tab terminal types\(by product number\)](#)

Operating voltage vs. load resistance (voltage at 50% discharge depth)



Panasonic Energy Co., Ltd.

<https://industry.panasonic.eu/products/energy-building/batteries/battery-cells/primary-batteries/lithium-batteries>

As of April, 2022. Panasonic offers batteries with tabs or lead wires. This data in this document is for descriptive purposes only and is not intended to make or imply any guarantee or warranty. The contents of this product information are subject to change without notice.

