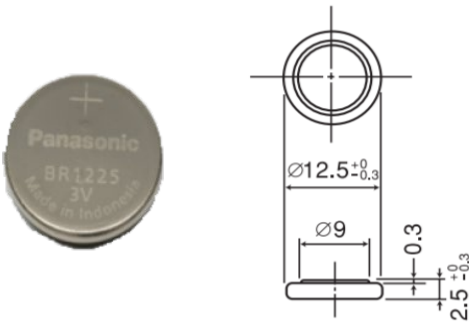


# BR1225

## BR Coin-type Lithium Battery



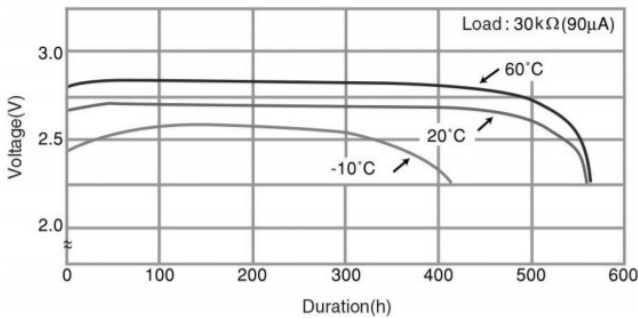
### Features & Benefits

- BR series batteries developed with exclusive Panasonic technology
- Exhibits stable performance after long periods in storage due to low self-discharge characteristics
- Primarily used for memory-backup power in low-drain applications

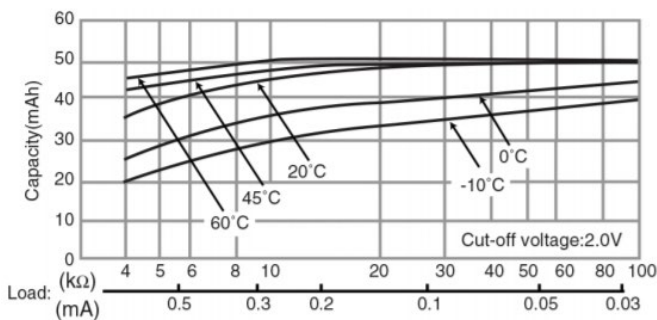
### Applications

Commercial equipment(communication/measurement devices), electricity meters, memory backup(security cameras, security sensors), automotive electronic components(ETC), etc.

#### Discharge temperature characteristics



#### Capacity vs. load resistance



### Specifications

<b>Nominal voltage</b>		3V
<b>Nominal capacity</b>		48mAh
<b>Continuous drain</b>		0.03mA
<b>Dimensions*</b> 1	Diameter(Max.)	12.5mm
	Height(Max.)	2.5mm
<b>Weight*1</b>		Approx. 0.8g
<b>Operating temperature*2</b>		-30°C to +85°C

\*1 Without tabs.

\*2 Please consult Panasonic when anticipating usage in operating temperatures of 80°C or above.

### Terminal types

Please see the documents for the terminal and lead wire settings.

- [Line up of tab terminal types\(by shape\)](#)
- [Line up of tab terminal types\(by product number\)](#)

#### Operating voltage vs. load resistance (voltage at 50% discharge depth)

