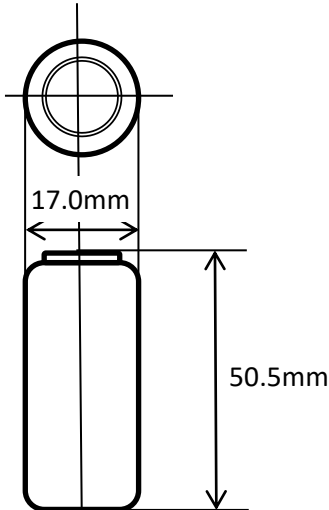


Dimensions



* Panasonic offers batteries with tabs or lead wires.

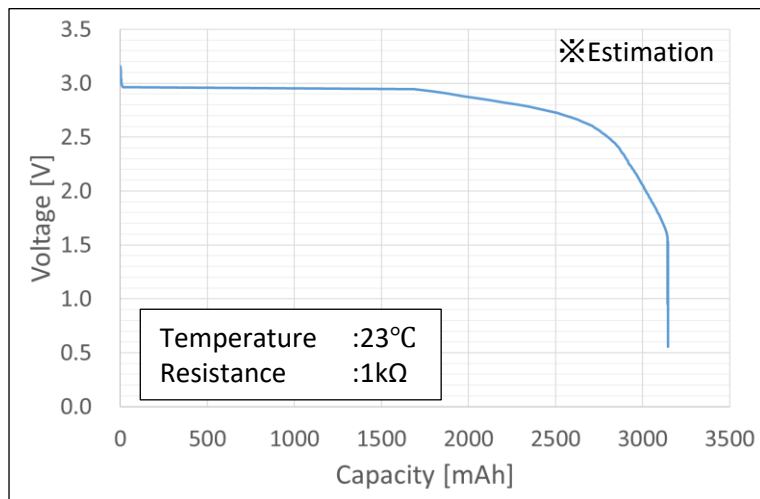
Features & Benefits

- Enables a long-term operation of devices which is difficult to replace batteries frequently.
- Wide range operating temperature
- Excellent high-pulse discharging performance

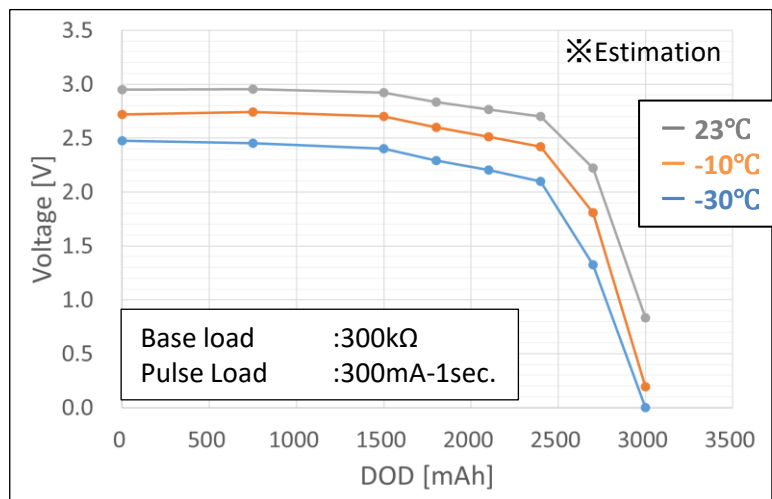
Specifications

Part number		CR-LAZ
Nominal Voltage		3V
Nominal Capacity		3,000mAh
Continuous drain		2.5mA
Dimensions*1	Diameter(Max.)	17.0mm
	Height(Max.)	50.5mm
Operating Temperature		-40°C ~ +85°C

Standard Discharge curves



Pulse Discharge Characteristics by Temperature



Terminal types

Through hole type



* For customized tab terminal or for any other information, please ask Panasonic sales person.

Applications

Fire alarms, utilities for gas and water, IoT/sensing devices and others.

This data in this document is for descriptive purposes only and is not intended to make or imply any guarantee or warranty. As of June, 2020. The contents of this product information are subject to change without notice. For more information, please contact our sales in charge.