

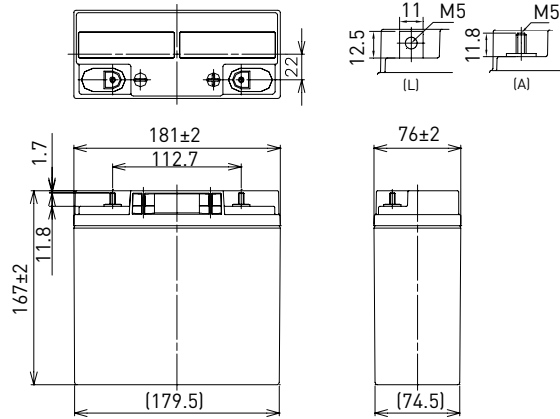
# LC-P1220P/AP

FOR STANDBY POWER SUPPLIES.  
 EXPECTED TRICKLE DESIGN LIFE: 10 – 12 YEARS AT 20°C  
 ACCORDING TO EUROBAT.

DIMENSIONS (MM)



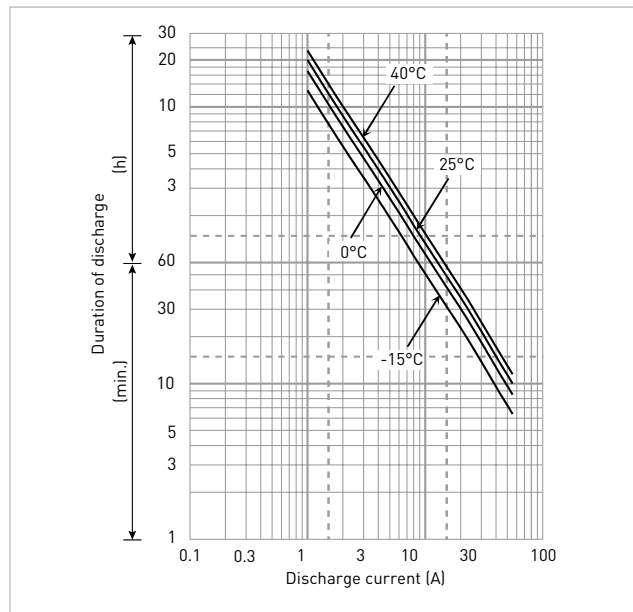
Terminal type (option)



Contents indicated (including the recycle marking, etc.) are subject to change without notice. Battery case resin: flame-retardant (UL94 V-0)

Specifications		LC-P1220P/AP
<b>Nominal voltage (V)</b>		12
<b>Nominal capacity</b>	20 hours rate (Ah)	20.0
<b>Dimensions</b>	Length (mm)	76
	Width (mm)	181
	Total height (mm)	167
<b>Approx. mass (kg)</b>		5.90
<b>Terminal type</b>		M5 bolt/nut & threaded post
<b>Capacity (25°C)</b>	20 hours rate (Ah)	20.0
	10 hours rate (Ah)	17.0
	3 hours rate (Ah)	15.0
	1 hour rate (Ah)	12.0
<b>Impedance (mΩ)</b>	Fully charged battery (25°C)	15
	Temperature dependency of capacity (%) – 20 hours rate	
	40°C	102
	25°C	100
	0°C	85
	-15°C	65
<b>Remaining capacity (25°C)</b>	After 3 months (%)	91
	After 6 months (%)	82
	After 12 months (%)	64

DURATION OF DISCHARGE VS. DISCHARGE CURRENT



WATT TABLE (25°C)

(Wattage/battery)

Cut-off	5min.	10min.	15min.	20min.	30min.	45min.	1h	1.5h	2h	3h	4h	5h	6h	10h	20h
9.6V	853	557	425	357	266	188	150	103	83.1	61.9	47.5	39.2	31.5	21.6	11.7
9.9V	800	546	423	351	263	186	148	101	82.5	61.5	47.2	38.9	31.4	21.5	11.7
10.2V	750	532	414	345	260	185	146	99.1	80.3	60.9	46.9	38.6	31.2	21.3	11.6
10.5V	672	493	385	328	254	182	145	97.0	77.5	60.0	46.6	38.3	30.8	21.2	11.6
10.8V	594	440	359	319	246	179	141	94.3	73.9	58.8	46.0	37.4	30.3	21.0	11.5

AMPERE TABLE (25°C)

(Ampere/battery)

Cut-off	5min.	10min.	15min.	20min.	30min.	45min.	1h	1.5h	2h	3h	4h	5h	6h	10h	20h
9.6V	85.0	55.3	40.0	34.2	24.0	16.9	12.7	9.04	6.98	5.17	3.95	3.26	2.61	1.75	1.01
9.9V	79.7	54.2	39.7	33.6	23.7	16.8	12.6	8.86	6.92	5.14	3.93	3.23	2.60	1.75	1.01
10.2V	74.7	52.8	38.9	33.1	23.5	16.6	12.4	8.68	6.74	5.09	3.90	3.20	2.58	1.73	1.00
10.5V	66.9	48.9	36.2	31.4	22.9	16.4	12.2	8.50	6.51	5.01	3.88	3.18	2.55	1.72	1.00
10.8V	59.2	43.6	33.8	30.6	22.2	16.1	12.0	8.27	6.20	4.91	3.82	3.10	2.51	1.70	0.994

All mentioned values are average values

# LC-P1220P/AP

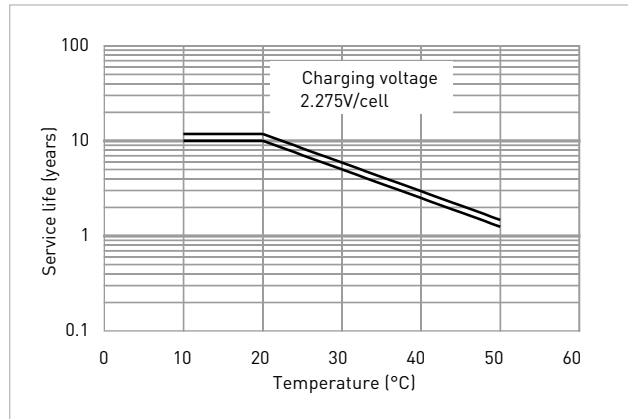
## CHARGING METHOD (25°C)

<b>Cycle use</b>	Control voltage: 13.6V - 13.8V Initial current: 3.00A or smaller
------------------	---

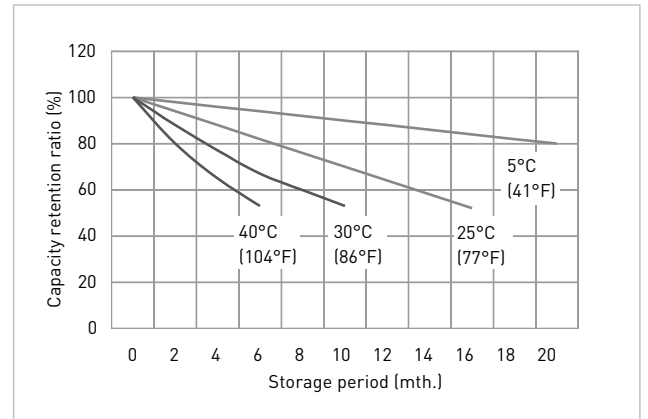
## CUT-OFF VOLTAGE

<b>Discharge current</b>	1.00A - 4.00A	4.00A - 10.0A	10.0A - 20.0A	20.0A - 40.0A	40.0A - 60.0A
<b>Cut-off voltage</b>	10.5V	10.2V	9.9V	9.3V	8.7V

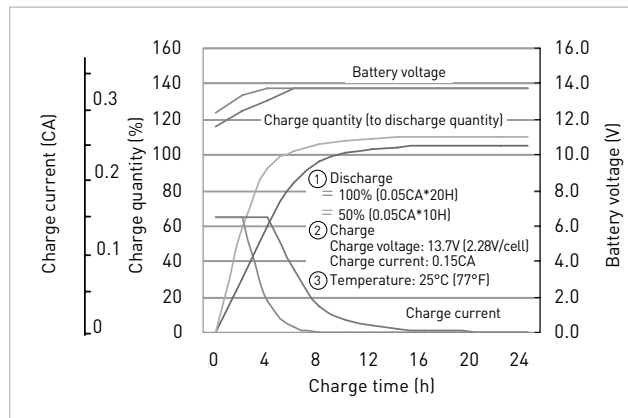
## INFLUENCE OF TEMPERATURE ON TRICKLE LIFE



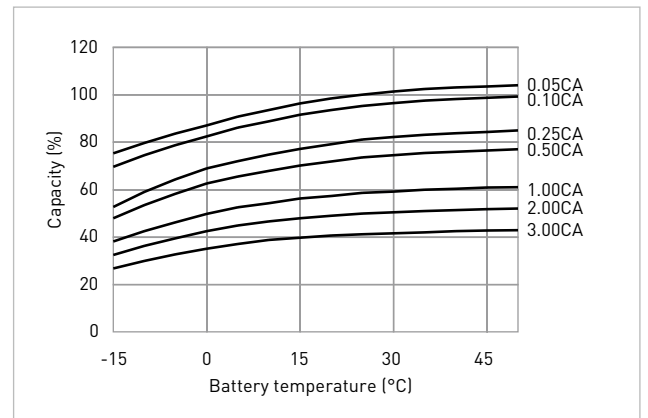
## RESIDUAL CAPACITY TEST RESULT



## CONSTANT-VOLTAGE CONSTANT-CURRENT CHARGE CHARACTERISTICS FOR TRICKLE USE



## DISCHARGE CAPACITY BY TEMPERATURE AND BY DISCHARGE CURRENT



## DISCHARGE CHARACTERISTICS

