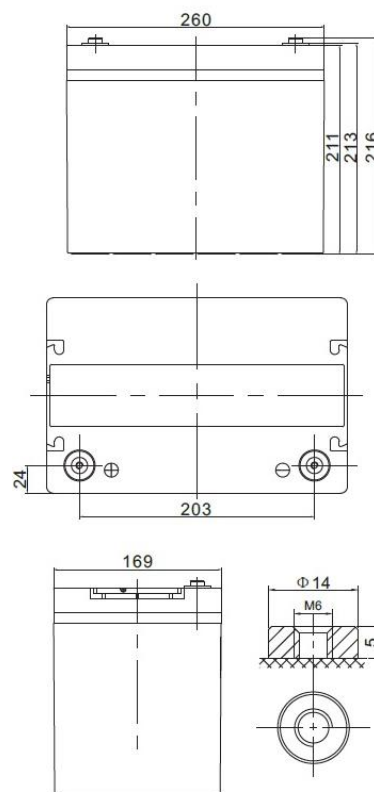


<b>Nominal voltage</b>	12 V	
<b>Nominal capacity</b>	75,0 Ah @ C20 to 1,75 V/cell	
<b>Dimensions</b>	<b>Length</b>	260 mm
	<b>Width</b>	169 mm
	<b>Height / Total height</b>	211 / 216 mm
<b>Weight</b>	~ 23,5 kg	
<b>Technology</b>	VRLA (Valve Regulated Lead Acid) Electrolyte - GEL	
<b>Design life time</b>	15 years (standby use)	
<b>Internal resistance</b>	~ 9,5 mΩ (full charged)	
<b>Operating temperature range</b>	<b>Discharge</b>	-40°C ~ +60°C
	<b>Charge</b>	-20°C ~ +50°C
	<b>Storage</b>	-40°C ~ +60°C
<b>Maximum discharge current</b>	750 A (5 sek.)	
<b>Recommended maximum charging current</b>	15,0 A	
<b>Charging voltage</b>	<b>Standby use</b>	13,6 ~ 13,8 VDC
	<b>Cycle use</b>	14,2 ~ 14,4 VDC
<b>Self discharge</b>	Monthly is less than 2% at 25°C	
<b>Container material</b>	ABS UL94HB (optional UL94-V0)	
<b>Terminal types</b>	Internal thread M6 (breaking torque 8-10 Nm)	



### CONSTANT CURRENT DISCHARGE CHARACTERISTICS (A at 25°C)

Voltage / Time	10 min	15 min	30 min	1 h	2 h	3 h	4 h	5 h	8 h	10 h	20 h
<b>9.6 V</b>	139,00	108,80	71,50	41,90	25,10	17,30	14,30	12,10	8,25	6,84	4,13
<b>10.0 V</b>	132,30	106,50	70,30	41,70	24,90	17,20	14,30	12,00	8,18	6,78	3,98
<b>10.2 V</b>	127,60	104,90	69,70	41,30	24,70	17,10	14,20	11,90	8,11	6,71	3,86
<b>10.5 V</b>	119,10	101,00	69,90	41,00	24,50	17,00	14,10	11,80	8,05	6,64	3,75
<b>10.8 V</b>	109,90	94,20	69,30	40,00	24,10	16,60	13,70	11,60	7,91	6,58	3,53
<b>11.1 V</b>	99,40	85,50	65,50	38,00	23,00	15,90	13,10	11,10	7,58	6,38	3,38

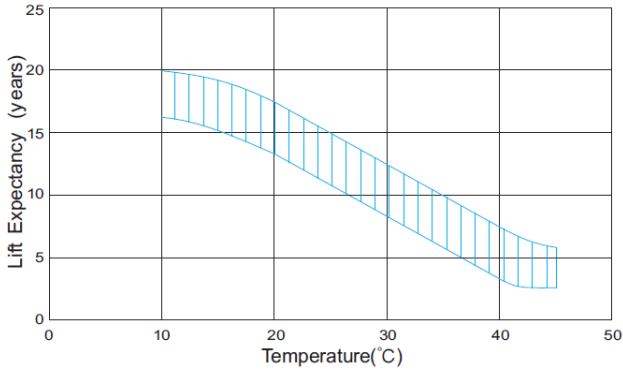
### CONSTANT POWER DISCHARGE CHARACTERISTICS (W at 25°C)

Voltage / Time	10 min	15 min	30 min	1 h	2 h	3 h	4 h	5 h	8 h	10 h	20 h
<b>9.6 V</b>	1482,0	1188,0	804,0	484,2	295,8	205,8	171,0	144,0	98,4	81,6	43,7
<b>10.0 V</b>	1434,0	1164,0	792,0	483,0	294,0	206,4	171,0	143,4	97,8	81,0	43,0
<b>10.2 V</b>	1398,0	1152,0	798,0	479,4	292,2	205,2	170,4	143,4	97,2	80,4	42,2
<b>10.5 V</b>	1314,0	1116,0	798,0	475,2	289,8	204,6	168,6	141,6	96,6	79,8	41,4
<b>10.8 V</b>	1230,0	1044,0	792,0	466,2	286,2	198,6	165,0	139,2	94,8	79,2	40,6
<b>11.1 V</b>	1122,0	948,0	756,0	446,4	276,0	190,2	157,2	133,2	91,2	76,8	38,2

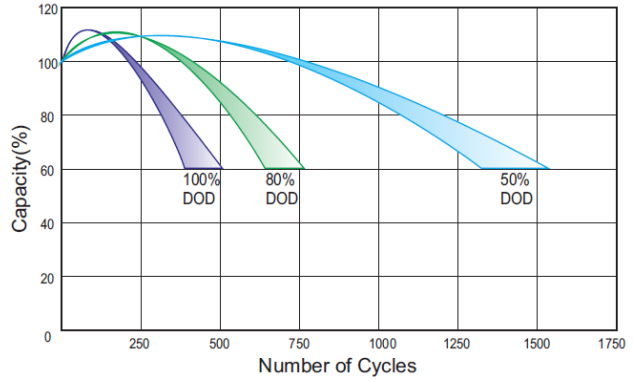
### According with:

PN-EN 60896-21:2007	ISO 9001
PN-EN 60896-22:2007	ISO 14001
PN-EN 61056-1:2013	
PN-EN 61056-2:2013	
PN-E-83016:1999	

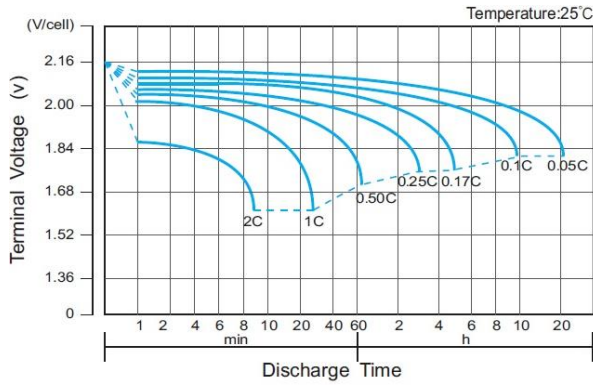
### EFFECT OF TEMPERATURE ON LONG TERM LIFE



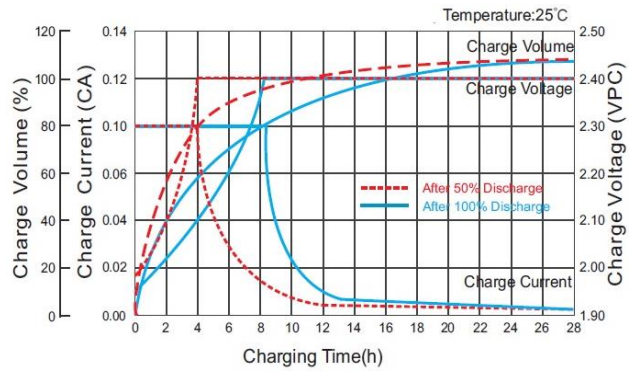
### CYCLE LIFE IN RELATION TO DEPTH OF DISCHARGE



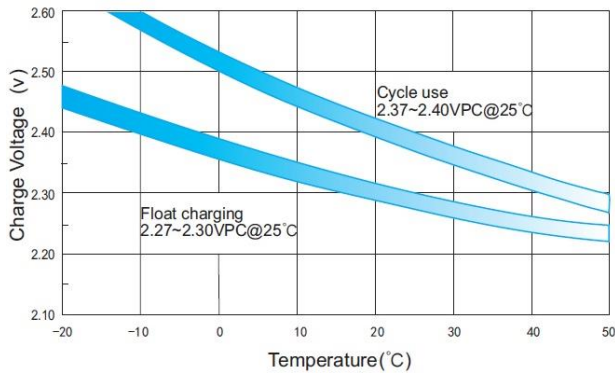
### DISCHARGE CHARACTERISTICS



### CHARGE CHARACTERISTIC FOR STANDBY USE



### RELATIONSHIP BETWEEN CHARGING VOLTAGE AND TEMPERATURE



### STORAGE CHARACTERISTICS

