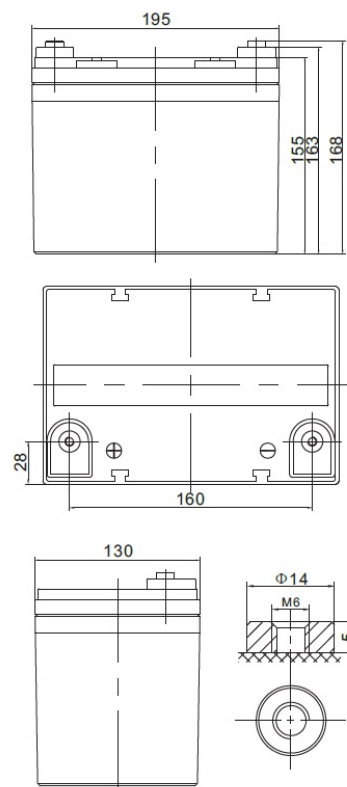


<b>Nominal voltage</b>	12 V	
<b>Nominal capacity</b>	33,0 Ah @ C20 to 1,75 V/cell	
<b>Dimensions</b>	<b>Length</b>	195 mm
	<b>Width</b>	130 mm
	<b>Height / Total height</b>	155 / 168 mm
<b>Weight</b>	~ 10,2 kg	
<b>Technology</b>	VRLA (Valve Regulated Lead Acid) Electrolyte - GEL	
<b>Design life time</b>	15 years (standby use)	
<b>Internal resistance</b>	~ 13,0 mΩ (full charged)	
<b>Operating temperature range</b>	<b>Discharge</b>	-40°C ~ +60°C
	<b>Charge</b>	-20°C ~ +50°C
	<b>Storage</b>	-40°C ~ +60°C
<b>Maximum discharge current</b>	330 A (5 sec.)	
<b>Recommended maximum charging current</b>	6,6 A	
<b>Charging voltage</b>	<b>Standby use</b>	13,6 ~ 13,8 VDC
	<b>Cycle use</b>	14,2 ~ 14,4 VDC
<b>Self discharge</b>	Monthly is less than 2% at 25°C	
<b>Container material</b>	ABS UL94HB (optional UL94-V0)	
<b>Terminal types</b>	Internal thread M6 (breaking torque 8-10 Nm)	



### CONSTANT CURRENT DISCHARGE CHARACTERISTICS (A at 25°C)

Voltage / Time	10 min	15 min	30 min	1 h	2 h	3 h	4 h	5 h	8 h	10 h	20 h
<b>9.6 V</b>	654,0	522,0	353,4	213,0	130,2	90,6	75,0	63,6	43,3	36,0	19,3
<b>10.0 V</b>	630,0	513,6	349,2	212,4	129,6	90,6	75,0	63,0	43,1	35,8	18,9
<b>10.2 V</b>	612,0	507,6	349,8	211,2	128,4	90,0	75,0	63,0	42,8	35,4	18,6
<b>10.5 V</b>	579,0	490,2	351,0	209,4	127,8	90,0	74,4	62,4	42,5	35,1	18,2
<b>10.8 V</b>	540,0	457,8	348,6	205,2	126,0	87,6	72,6	61,2	41,8	34,7	17,9
<b>11.1 V</b>	494,4	417,0	331,8	196,2	121,2	84,0	69,0	58,5	40,0	33,7	16,8

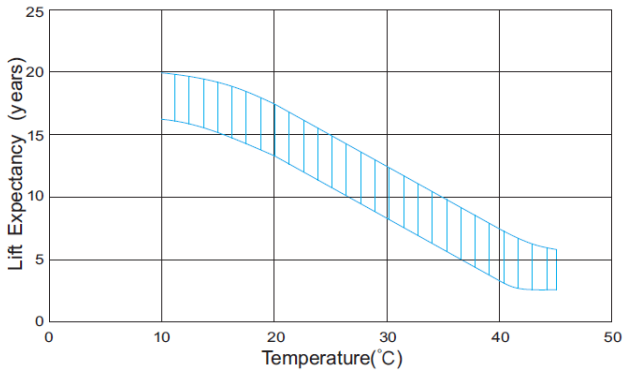
### CONSTANT POWER DISCHARGE CHARACTERISTICS (W at 25°C)

Voltage / Time	10 min	15 min	30 min	1 h	2 h	3 h	4 h	5 h	8 h	10 h	20 h
<b>9.6 V</b>	654,00	522,00	353,40	213,00	130,20	90,60	75,00	63,60	43,32	36,00	19,26
<b>10.0 V</b>	630,00	513,60	349,20	212,40	129,60	90,60	75,00	63,00	43,14	35,76	18,90
<b>10.2 V</b>	612,00	507,60	349,80	211,20	128,40	90,00	75,00	63,00	42,84	35,40	18,60
<b>10.5 V</b>	579,00	490,20	351,00	209,40	127,80	90,00	74,40	62,40	42,48	35,10	18,24
<b>10.8 V</b>	540,00	457,80	348,60	205,20	126,00	87,60	72,60	61,20	41,76	34,74	17,88
<b>11.1 V</b>	494,40	417,00	331,80	196,20	121,20	84,00	69,00	58,50	40,02	33,66	16,80

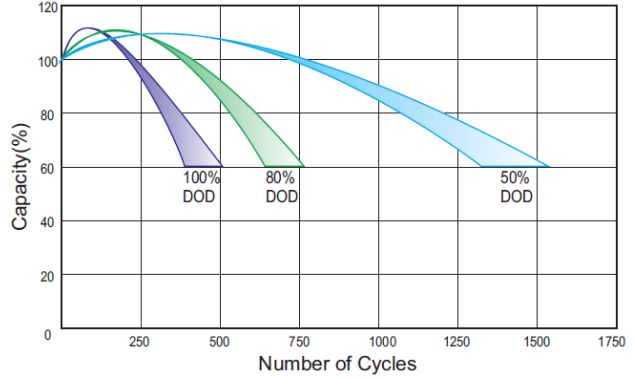
### According with:

PN-EN 60896-21:2007	ISO 9001
PN-EN 60896-22:2007	ISO 14001
PN-EN 61056-1:2013	
PN-EN 61056-2:2013	
PN-E-83016:1999	

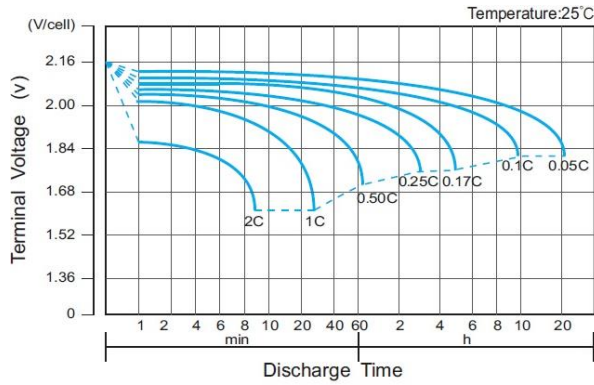
### EFFECT OF TEMPERATURE ON LONG TERM LIFE



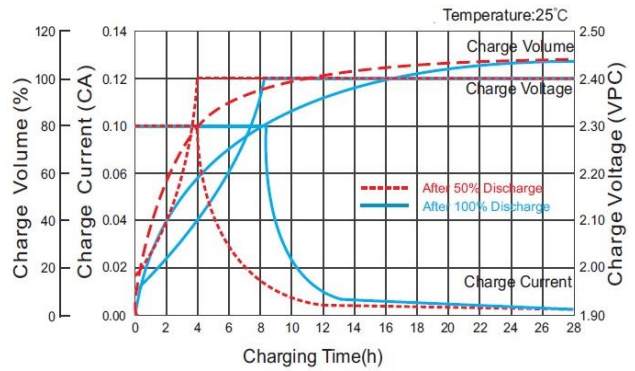
### CYCLE LIFE IN RELATION TO DEPTH OF DISCHARGE



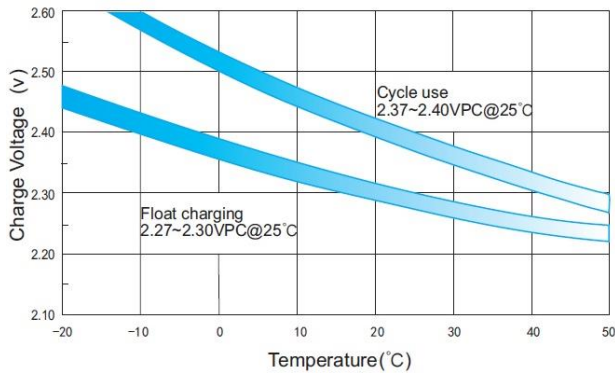
### DISCHARGE CHARACTERISTICS



### CHARGE CHARACTERISTIC FOR STANDBY USE



### RELATIONSHIP BETWEEN CHARGING VOLTAGE AND TEMPERATURE



### STORAGE CHARACTERISTICS

