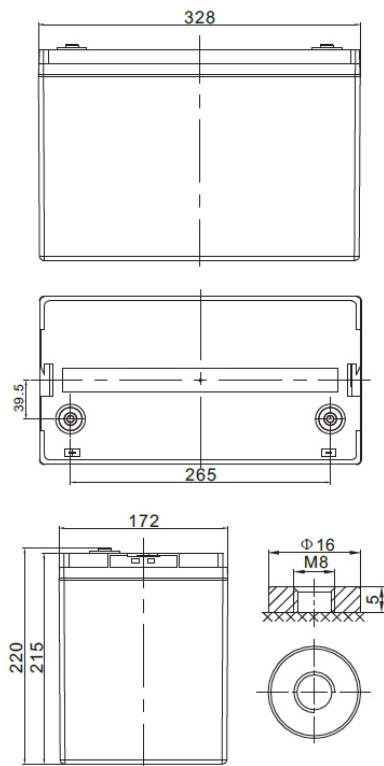


<b>Nominal voltage</b>	12 V	
<b>Nominal capacity</b>	100,0 Ah @ C20 to 1,75 V/cell	
<b>Dimensions</b>	<b>Length</b>	328 mm
	<b>Width</b>	172 mm
	<b>Height / Total height</b>	215 / 220 mm
<b>Weight</b>	~ 30,0 kg	
<b>Technology</b>	VRLA (Valve Regulated Lead Acid) Electrolyte - GEL	
<b>Design life time</b>	15 years (standby use)	
<b>Internal resistance</b>	~ 7,5 mΩ (full charged)	
<b>Operating temperature range</b>	<b>Discharge</b>	-40°C ~ +60°C
	<b>Charge</b>	-20°C ~ +50°C
	<b>Storage</b>	-40°C ~ +60°C
<b>Maximum discharge current</b>	1 000 A (5 sec.)	
<b>Recommended maximum charging current</b>	20,0 A	
<b>Charging voltage</b>	<b>Standby use</b>	13,6 ~ 13,8 VDC
	<b>Cycle use</b>	14,2 ~ 14,4 VDC
<b>Self discharge</b>	Monthly is less than 2% at 25°C	
<b>Container material</b>	ABS UL94HB (optional UL94-V0)	
<b>Terminal types</b>	Internal thread M8 (breaking torque 10-12 Nm)	



### CONSTANT CURRENT DISCHARGE CHARACTERISTICS (A at 25°C)

Voltage / Time	10 min	15 min	30 min	1 h	2 h	3 h	4 h	5 h	8 h	10 h	20 h
<b>9.6 V</b>	185,40	145,00	95,40	55,90	33,40	23,10	19,10	16,10	11,00	9,10	5,50
<b>10.0 V</b>	176,40	142,10	93,80	55,60	33,20	23,00	19,00	16,00	10,90	9,00	5,30
<b>10.2 V</b>	170,10	139,80	93,00	55,10	32,90	22,80	18,90	15,90	10,80	8,90	5,20
<b>10.5 V</b>	158,90	134,70	93,20	54,60	32,70	22,70	18,80	15,70	10,70	8,90	5,00
<b>10.8 V</b>	146,60	125,60	92,50	53,30	32,10	22,10	18,30	15,40	10,60	8,80	4,70
<b>11.1 V</b>	132,50	114,00	87,40	50,70	30,70	21,10	17,40	14,80	10,10	8,50	4,50

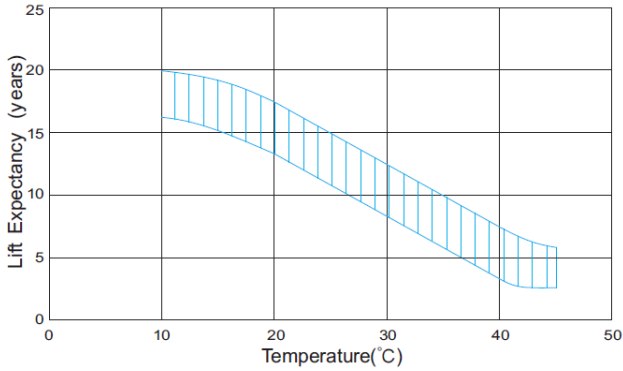
### CONSTANT POWER DISCHARGE CHARACTERISTICS (W at 25°C)

Voltage / Time	10 min	15 min	30 min	1 h	2 h	3 h	4 h	5 h	8 h	10 h	20 h
<b>9.6 V</b>	1974,0	1581,2	1070,2	645,9	394,0	274,7	227,9	192,1	131,3	109,0	58,4
<b>10.0 V</b>	1913,5	1555,8	1058,0	644,4	391,9	274,8	227,6	191,6	130,7	108,3	57,3
<b>10.2 V</b>	1863,0	1538,3	1060,8	639,4	389,6	273,6	227,2	190,9	129,8	107,4	56,3
<b>10.5 V</b>	1755,4	1484,6	1063,7	633,7	386,7	272,5	225,0	188,6	128,7	106,3	55,2
<b>10.8 V</b>	1637,2	1388,1	1056,8	622,0	381,8	265,1	219,9	185,2	126,6	105,2	54,2
<b>11.1 V</b>	1497,4	1263,9	1004,8	595,3	367,6	253,7	209,3	177,3	121,2	102,1	51,0

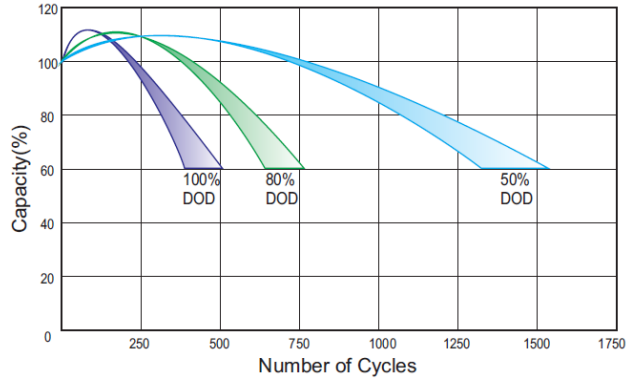
### According with:

PN-EN 60896-21:2007	ISO 9001
PN-EN 60896-22:2007	ISO 14001
PN-EN 61056-1:2013	
PN-EN 61056-2:2013	
PN-E-83016:1999	

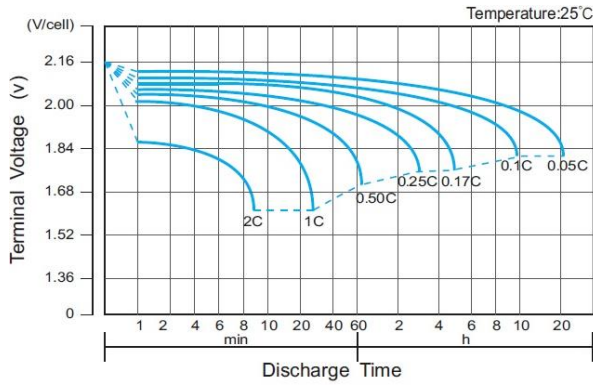
## EFFECT OF TEMPERATURE ON LONG TERM LIFE



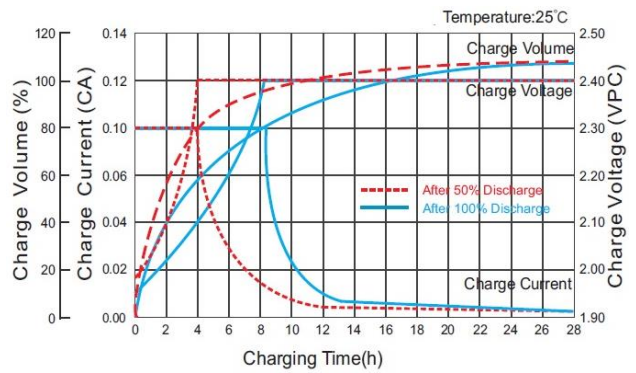
## CYCLE LIFE IN RELATION TO DEPTH OF DISCHARGE



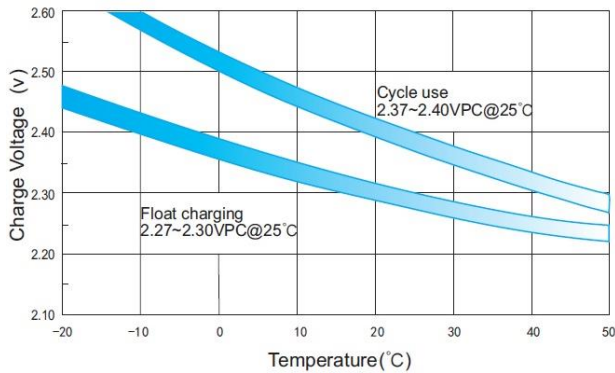
## DISCHARGE CHARACTERISTICS



## CHARGE CHARACTERISTIC FOR STANDBY USE



## RELATIONSHIP BETWEEN CHARGING VOLTAGE AND TEMPERATURE



## STORAGE CHARACTERISTICS

