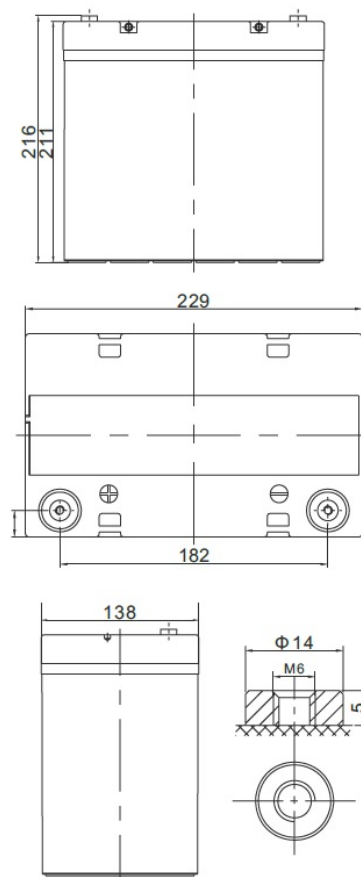


Nominal voltage	12 V	
Nominal capacity	55,0 Ah @ C20 to 1,75 V/cell	
Dimensions	Length	229 mm
	Width	138 mm
	Height / Total height	211 / 216 mm
Weight	~ 18,0 kg	
Technology	VRLA (Valve Regulated Lead Acid) AGM (Absorbent Glass Mat)	
Design life time	up to 12 years (standby use)	
Internal resistance	~ 7,0 mΩ (full charged)	
Operating temperature range	Discharge	-20°C ~ +60°C
	Charge	0°C ~ +50°C
	Storage	-20°C ~ +60°C
Maximum discharge current	550 A (5 sec.)	
Recommended maximum charging current	16,5 A	
Charging voltage	Standby use	13,6 ~ 13,8 VDC
	Cycle use	14,6 ~ 14,8 VDC
Self discharge	Monthly is less than 3% at 25°C	
Container material	ABS UL94HB (optional UL94-V0)	
Terminal types	Internal thread M6 (breaking torque 8-10Nm)	



CONSTANT CURRENT DISCHARGE CHARACTERISTICS (A at 25°C)

Napięcie / czas	5 min	10 min	15 min	30 min	1 h	2 h	3 h	4 h	5 h	8 h	10 h	20 h
9.6 V	185,01	139,61	105,03	61,43	33,94	20,041	15,528	12,205	10,387	6,980	5,802	3,035
10.0 V	178,32	131,92	100,42	58,98	32,78	19,402	15,049	11,874	10,117	6,902	5,732	2,987
10.2 V	169,62	121,45	94,05	56,37	31,71	18,762	14,640	11,551	9,854	6,795	5,645	2,951
10.5 V	158,46	111,17	87,52	53,88	30,55	18,107	14,203	11,255	9,606	6,702	5,571	2,915
10.8 V	144,37	100,63	80,81	51,50	29,38	17,459	13,764	10,932	9,359	6,587	5,500	2,886
11.1 V	127,05	82,24	67,06	44,36	26,35	15,997	12,724	10,161	8,727	6,184	5,177	2,740

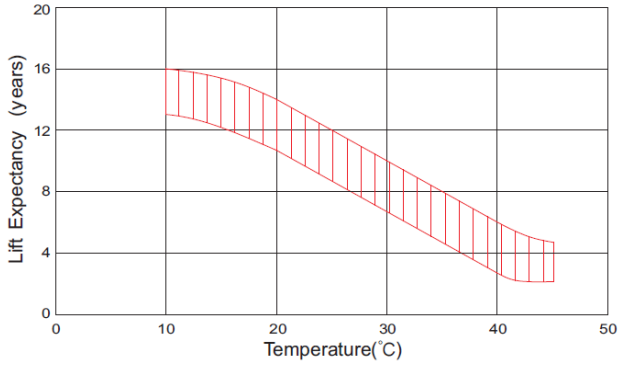
CONSTANT POWER DISCHARGE CHARACTERISTICS (W at 25°C)

Napięcie / czas	5 min	10 min	15 min	30 min	1 h	2 h	3 h	4 h	5 h	8 h	10 h	20 h
9.6 V	1910,61	1423,82	1101,70	669,50	382,68	227,90	177,95	140,58	120,13	81,80	68,43	35,86
10.0 V	1890,45	1371,39	1068,89	649,50	371,69	221,70	173,19	137,29	117,45	81,05	67,70	35,34
10.2 V	1818,35	1285,70	1016,09	627,04	361,84	215,58	169,23	134,06	114,79	79,98	66,76	34,96
10.5 V	1729,24	1198,08	959,30	605,48	350,73	209,01	164,87	131,13	112,29	79,02	65,96	34,57
10.8 V	1602,99	1103,43	898,31	584,56	339,27	202,55	160,40	127,82	109,78	77,86	65,20	34,27
11.1 V	1435,73	917,83	756,01	508,47	306,16	186,59	148,95	119,25	102,72	73,26	61,47	32,58

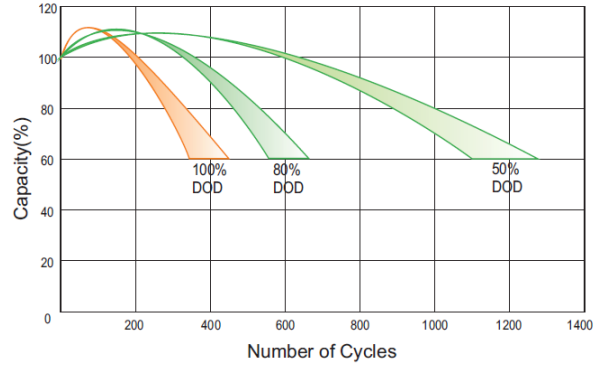
ACCORDING WITH:

PN-EN 60896-21:2007	ISO 9001
PN-EN 60896-22:2007	ISO 14001
PN-EN 61056-1:2013	
PN-EN 61056-2:2013	
PN-E-83016:1999	

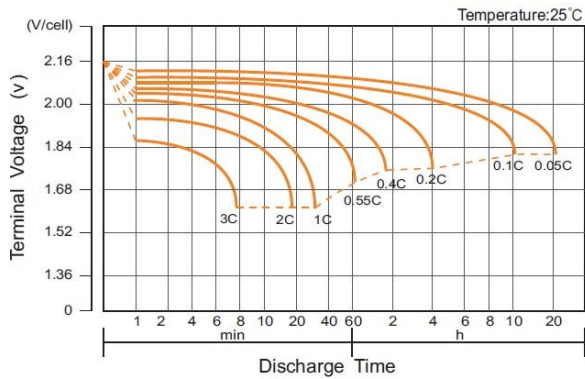
EFFECT OF TEMPERATURE ON LONG TERM LIFE



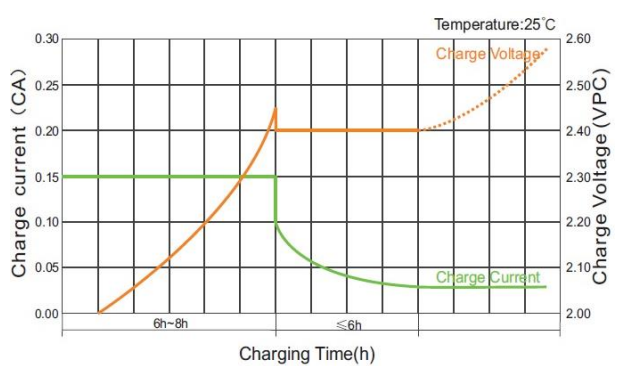
CYCLE LIFE IN RELATION TO DEPTH OF DISCHARGE



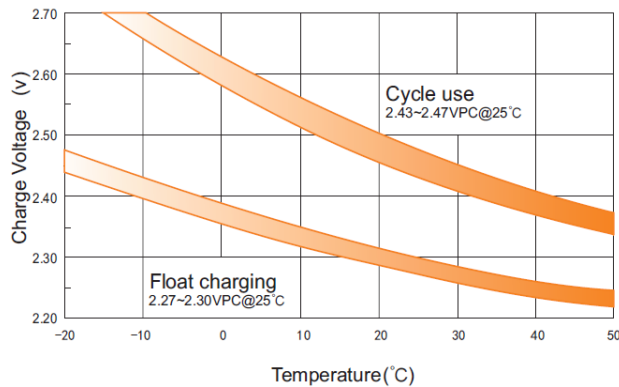
DISCHARGE CHARACTERISTICS



CHARGE CHARACTERISTIC FOR CYCLE USE



RELATIONSHIP BETWEEN CHARGING VOLTAGE AND TEMPERATURE



STORAGE CHARACTERISTICS

