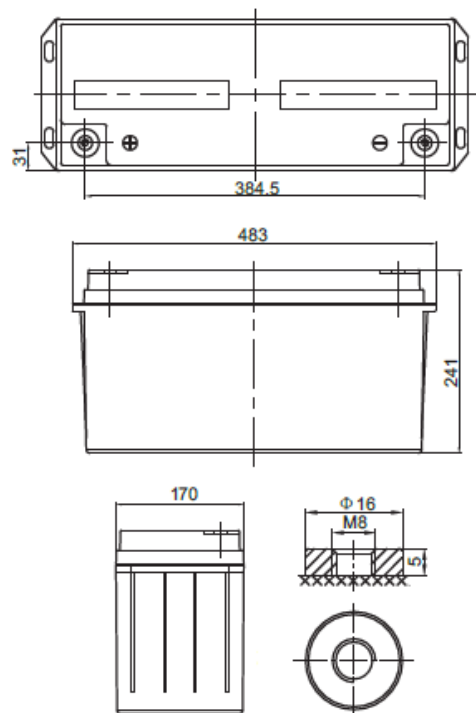


Nominal voltage	12 V	
Nominal capacity	158,6 Ah @ C20 to 1,75 V/cell at 20°C 150,0 Ah @ C10 to 1,80 V/cell at 20°C	
Dimensions	Length	483 mm
	Width	170 mm
	Height / Total height	241 / 241 mm
Weight	~ 44,5 kg	
Technology	VRLA (Valve Regulated Lead Acid) AGM (Absorbent Glass Mat)	
Design life time	12 years (trickle use at 20°C)	
Internal resistance	~ 4,0 mΩ (full charged)	
Operating temperature range	Discharge	-20°C ~ +60°C
	Charge	0°C ~ +60°C
	Storage	-20°C ~ +60°C
Normal operating temperature range	+20°C ± 5°C	
Maximum discharge current	1500 A (5 sek.)	
Short circuit current	2700 A	
Recommended maximum charging current	45,0 A	
Charging voltage	Standby use (at 20°C)	13,5 ~ 13,8 VDC
	Cycle use (at 20°C)	14,4 ~ 14,8 VDC
Self discharge	Monthly is less than 3% at 20°C	
Container material	ABS UL94HB (optional UL94-V0)	
Terminal types	Internal thread M8 (breaking torque 10 + 12 Nm)	



CONSTANT CURRENT DISCHARGE CHARACTERISTICS (A at 20°C)

Voltage / time	5 min	10 min	15 min	30 min	1 h	2 h	3 h	4 h	5 h	8 h	10 h	20 h
9.6 V	473,69	331,62	260,96	157,38	92,35	55,33	41,04	33,33	28,14	18,80	15,99	8,20
10.0 V	456,58	321,73	254,12	153,92	90,64	54,52	40,49	32,92	27,81	18,61	15,84	8,13
10.2 V	434,31	308,78	245,13	149,35	88,38	53,44	39,77	32,37	27,38	18,36	15,64	8,05
10.5 V	405,72	292,00	233,42	143,37	85,40	52,02	38,80	31,64	26,81	18,02	15,37	7,93
10.8 V	369,65	270,57	218,37	135,62	81,51	50,14	37,53	30,67	26,04	17,58	15,01	7,78
11.1 V	325,30	243,77	199,36	125,72	76,50	47,71	35,88	29,41	25,05	16,99	14,54	7,57

CONSTANT POWER DISCHARGE CHARACTERISTICS (W at 20°C)

Voltage / time	5 min	10 min	15 min	30 min	1 h	2 h	3 h	4 h	5 h	8 h	10 h	20 h
9.6 V	4892,0	3432,9	2778,3	1740,8	1051,7	638,6	477,3	389,7	330,3	223,6	191,4	98,3
10.0 V	4840,4	3418,9	2762,4	1728,0	1043,1	633,9	473,9	386,9	328,2	222,0	190,0	97,7
10.2 V	4655,7	3317,9	2688,0	1686,1	1020,5	623,3	466,5	381,3	323,7	219,3	187,7	96,8
10.5 V	4427,6	3194,1	2596,9	1635,3	991,1	609,5	457,2	374,1	318,0	215,7	184,7	95,5
10.8 V	4104,3	3011,3	2463,7	1562,5	950,5	590,5	444,0	364,0	310,1	210,9	180,6	93,7
11.1 V	3676,1	2761,2	2281,2	1462,8	898,4	564,8	426,3	350,3	299,2	204,3	175,2	91,4

According with:

PN-EN 60896-21:2007	ISO 9001
PN-EN 60896-22:2007	ISO 14001
PN-EN 61056-1:2013	UL1989
PN-EN 61056-2:2013	
PN-E-83016:1999	