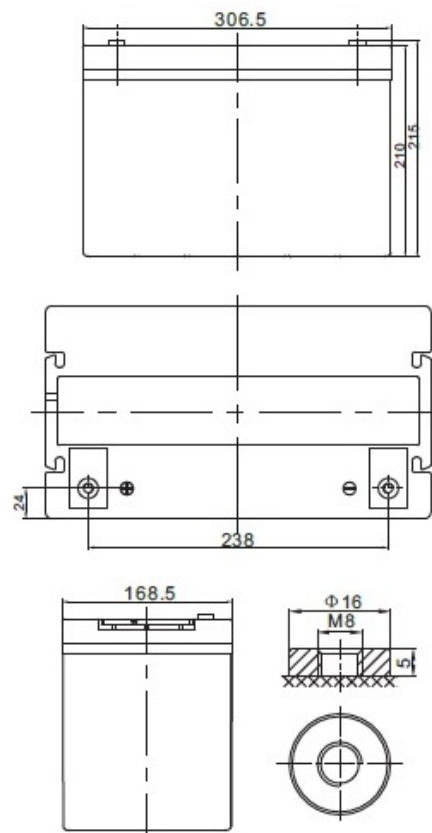




# SBL 115-12HR

<b>Nominal voltage</b>	12 V	
<b>Nominal capacity</b>	380 W @ 15 min to 1,67 W/cell at 20°C	
<b>Dimensions</b>	<b>Length</b>	306,5 mm
	<b>Width</b>	168,5 mm
	<b>Height / Total height</b>	210 / 215 mm
<b>Weight</b>	~ 31,5 kg	
<b>Technology</b>	VRLA (Valve Regulated Lead Acid) AGM (Absorbent Glass Mat)	
<b>Design life time</b>	15 years (trickle use at 20°C)	
<b>Internal resistance</b>	~ 4,5 mΩ (full charged)	
<b>Operating temperature range</b>	<b>Discharge</b>	-20°C ~ +60°C
	<b>Charge</b>	0°C ~ +60°C
	<b>Storage</b>	-20°C ~ +60°C
<b>Normal operating temperature range</b>	+20°C ± 5°C	
<b>Maximum discharge current</b>	1000 A (5 sek.)	
<b>Short circuit current</b>	2550 A	
<b>Recommended maximum charging current</b>	30,0 A	
<b>Charging voltage</b>	<b>Standby use (at 20°C)</b>	13,6 ~ 13,8 VDC
	<b>Cycle use (at 20°C)</b>	14,6 ~ 14,8 VDC
<b>Self discharge</b>	Monthly is less than 3% at 20°C	
<b>Container material</b>	ABS UL94HB (optional UL94-V0)	
<b>Terminal types</b>	Internal thread M8 (breaking torque 10 ÷ 12 Nm)	



## CONSTANT CURRENT DISCHARGE CHARACTERISTICS (A at 20°C)

Voltage / time	5 min	8 min	10 min	15 min	20 min	30 min	60 min	90 min
9.6 V	344,61	298,15	270,89	216,93	174,26	127,73	73,43	54,39
10.0 V	318,87	279,68	254,17	205,63	162,55	121,77	69,98	51,78
10.2 V	305,62	269,84	244,98	199,29	156,35	118,32	67,97	50,22
10.5 V	288,65	256,35	230,04	189,95	152,07	114,98	66,85	49,10
10.8 V	271,50	242,86	215,00	180,45	147,57	111,46	65,53	47,91
11.1 V	253,36	228,35	199,33	170,17	142,42	107,34	63,96	46,47

## CONSTANT POWER DISCHARGE CHARACTERISTICS (W at 20°C)

Voltage / time	5 min	8 min	10 min	15 min	20 min	30 min	60 min	90 min
9.6 V	3687,6	3237,0	2958,9	2383,7	1921,8	1411,8	814,9	605,8
10.0 V	3445,2	3066,0	2803,2	2281,5	1810,1	1359,0	784,1	582,4
10.2 V	3341,4	2993,6	2733,9	2237,3	1761,6	1336,0	770,6	571,6
10.5 V	3195,6	2880,2	2599,5	2159,4	1735,1	1314,8	767,5	565,8
10.8 V	3048,8	2767,8	2465,2	2081,0	1708,0	1293,0	763,2	560,1
11.1 V	2903,0	2655,4	2331,5	2002,5	1682,0	1270,6	760,1	554,4

### According with:

PN-EN 60896-21:2007	ISO 9001
PN-EN 60896-22:2007	ISO 14001
PN-EN 61056-1:2013	UL1989
PN-EN 61056-2:2013	
PN-E-83016:1999	

**wamTECHNIK**

Please refer to the official site for the latest data: [www.wamtechnik.pl](http://www.wamtechnik.pl)