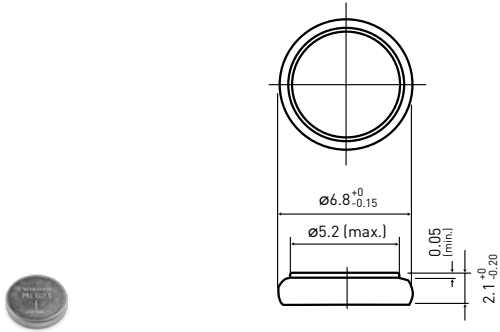
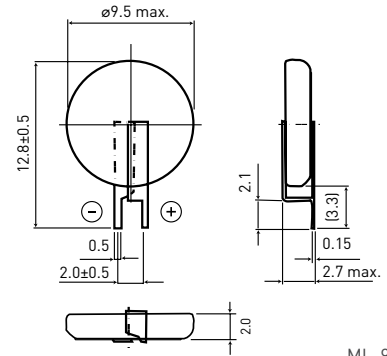


ML-621

DIMENSIONS (MM)



ML-920

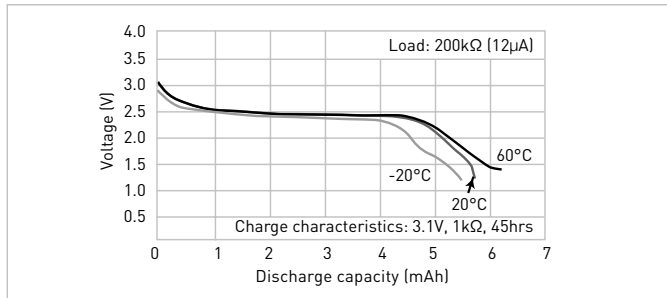


ML-920/DN

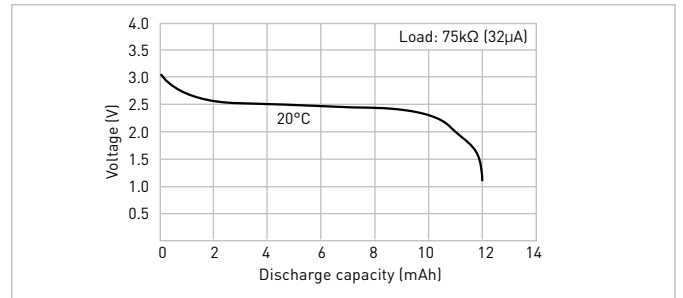
Model number	ML-621
Nominal voltage (V)	3
Nominal capacity (mAh)	5.0
Diameter (mm)	6.8
Total height (mm)	2.1
Discharging temperature range (°C)	-20 to +60
Weight (g)	0.2

Model number	ML-920
Nominal voltage (V)	3
Nominal capacity (mAh)	11.0
Diameter (mm)	9.5
Total height (mm)	2.0
Discharging temperature range (°C)	-20 to +60
Weight (g)	0.4

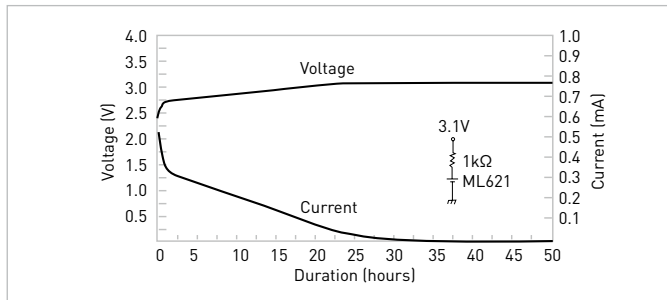
DISCHARGE CHARACTERISTICS



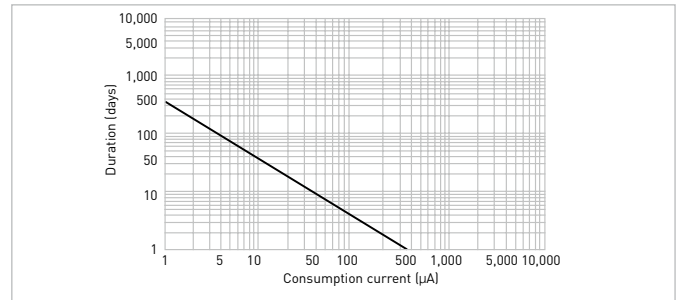
DISCHARGE CHARACTERISTICS



CHARGE CHARACTERISTICS



CONSUMPTION CURRENT VS. DURATION TIME



CONSUMPTION CURRENT VS. DURATION TIME

