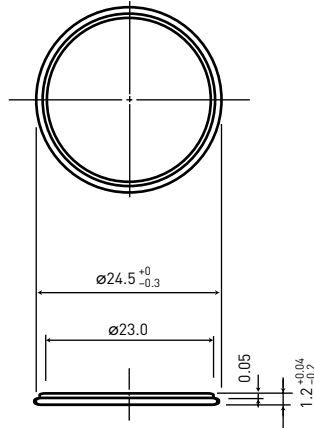


## 2 MANGANESE DIOXIDE LITHIUM BATTERIES (CR SERIES)

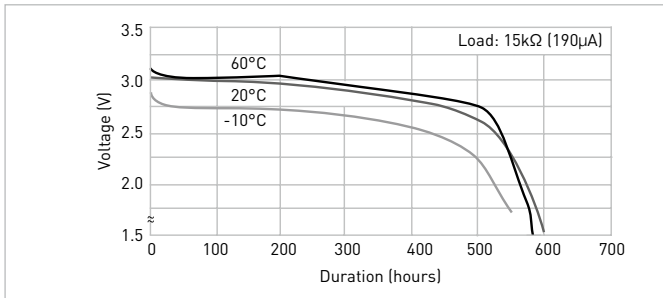
### CR-2412

DIMENSIONS (MM)

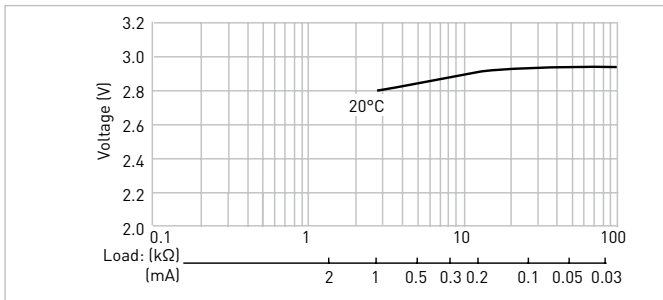


Model number	CR-2412
Nominal voltage (V)	3
Nominal capacity (mAh)	100
Diameter (mm)	24.5
Total height (mm)	1.2
Discharging temperature range (°C)	-30 to +60
Weight (g)	2.0

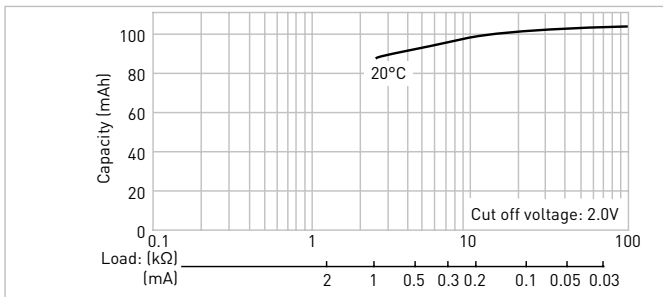
### DISCHARGE TEMPERATURE CHARACTERISTICS



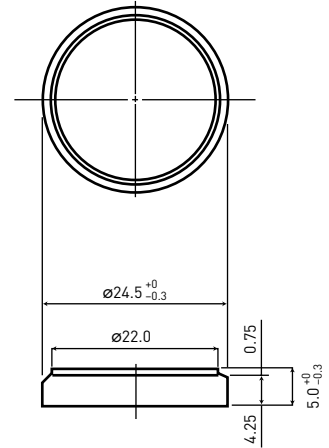
### OPERATING VOLTAGE VS. DISCHARGE CURRENT\*1



### CAPACITY VS. LOAD RESISTANCE

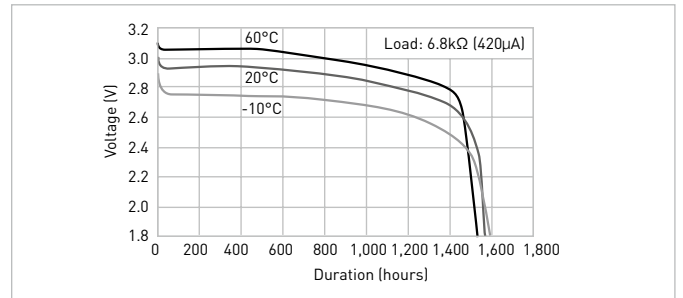


### CR-2450

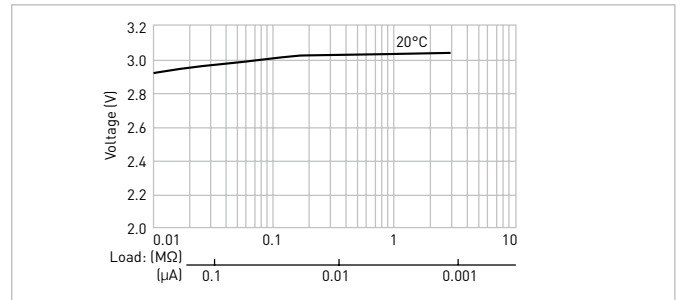


Model number	CR-2450
Nominal voltage (V)	3
Nominal capacity (mAh)	620
Diameter (mm)	24.5
Total height (mm)	5.0
Discharging temperature range (°C)	-30 to +60
Weight (g)	6.3

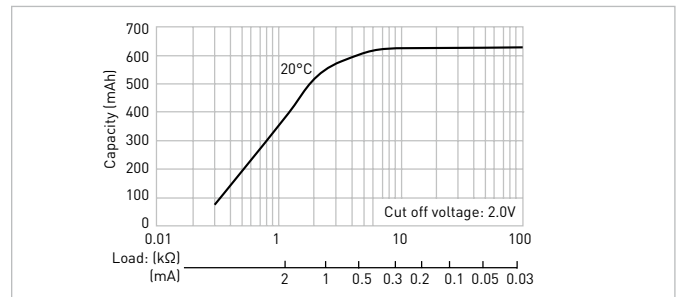
### DISCHARGE TEMPERATURE CHARACTERISTICS



### OPERATING VOLTAGE VS. DISCHARGE CURRENT\*1



### CAPACITY VS. LOAD RESISTANCE



The data in this document are for descriptive purposes only and are not intended to make or imply any guarantee or warranty.

\*1 Voltage at 50% discharge depth.